

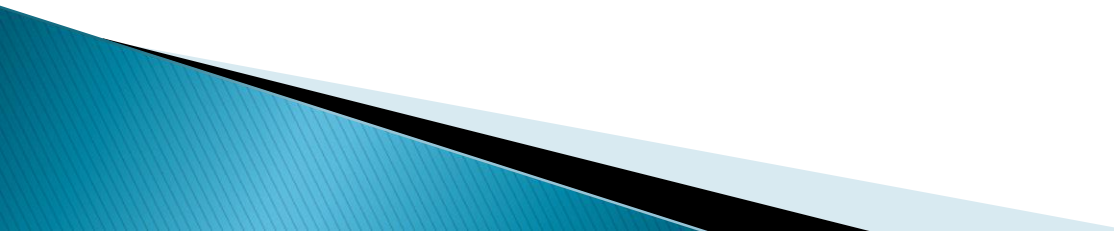


**Geo**TERMIA  
MAZOWIECKA

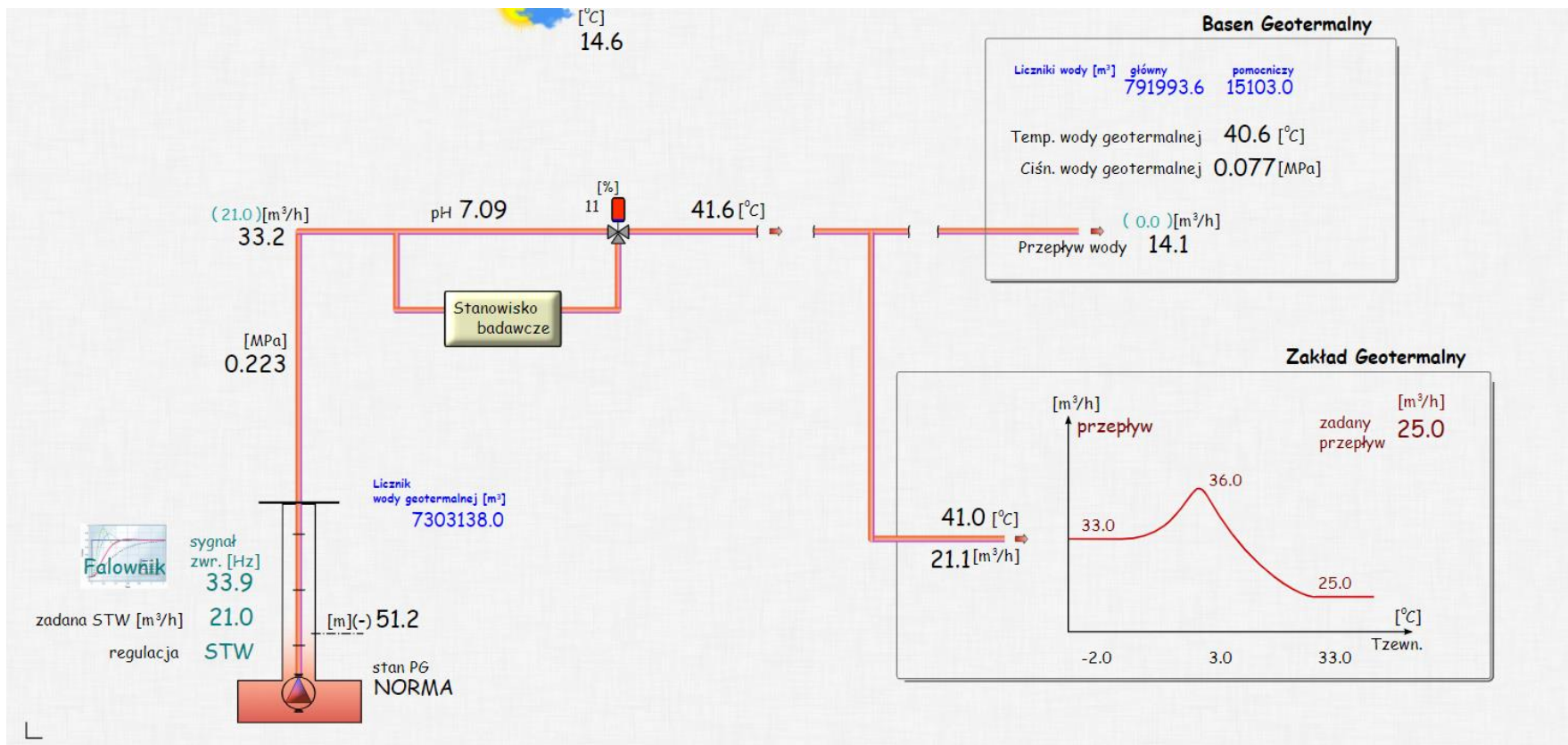
*Mgr inż. Marcin Słowek  
21.10.2019 r.*

**Technical parameters**  
**Heating plants**

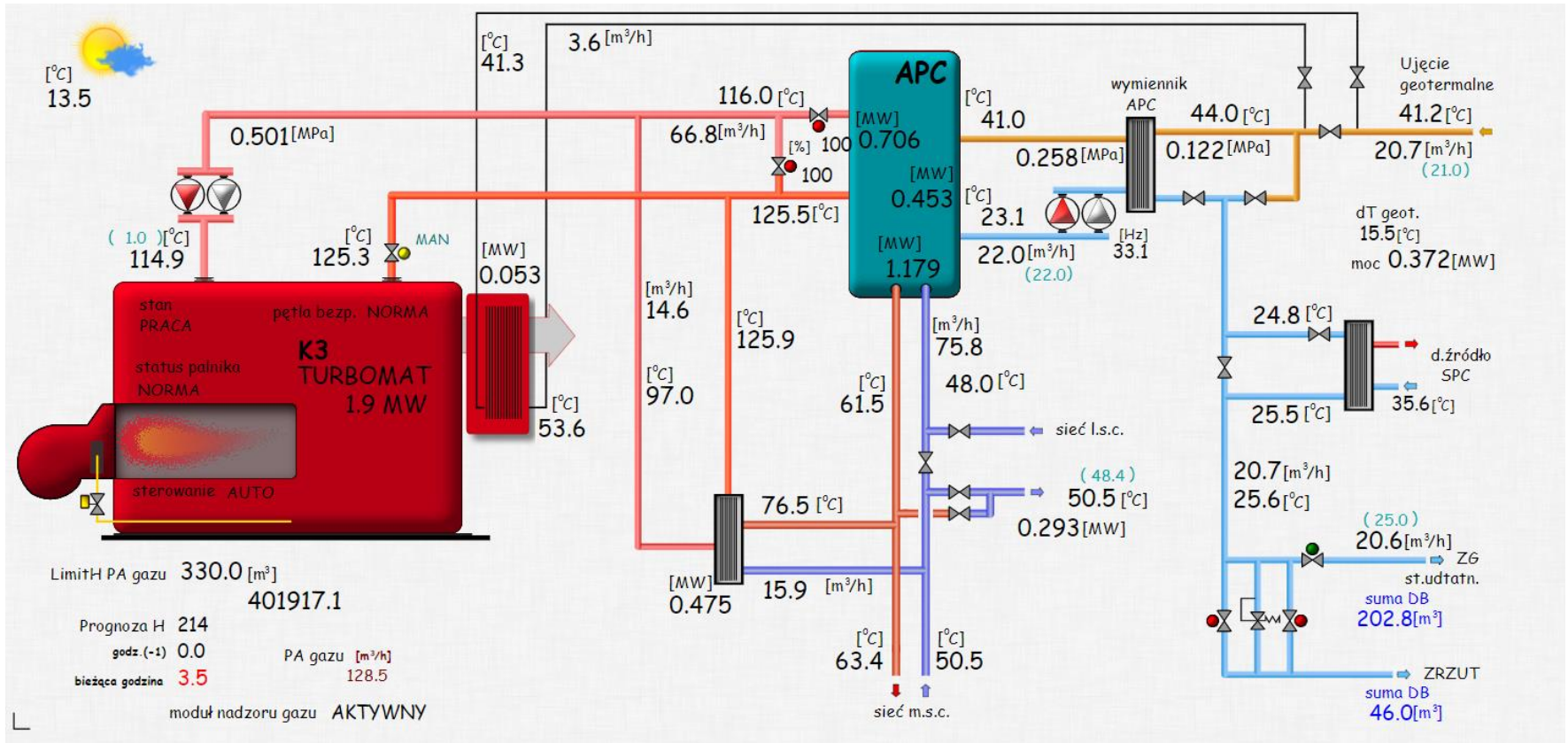
1. Geothermal heating plant in Mszczonów	- 8.3 MW
2. Heating plant in Sochaczew - Chodaków	- 6.8 MW
3. Heating plant in Sochaczew - Trojanów	- 3.5 MW
4. Heating plant in Żyrardów	- 10 MW
5. Heating plant in Błonie	- 9.9 MW
6. Heating plant in Ożarów Mazowiecki	- 13.9 MW
Total installed power	- 52.4 MW



# Geothermal borehole IG-1

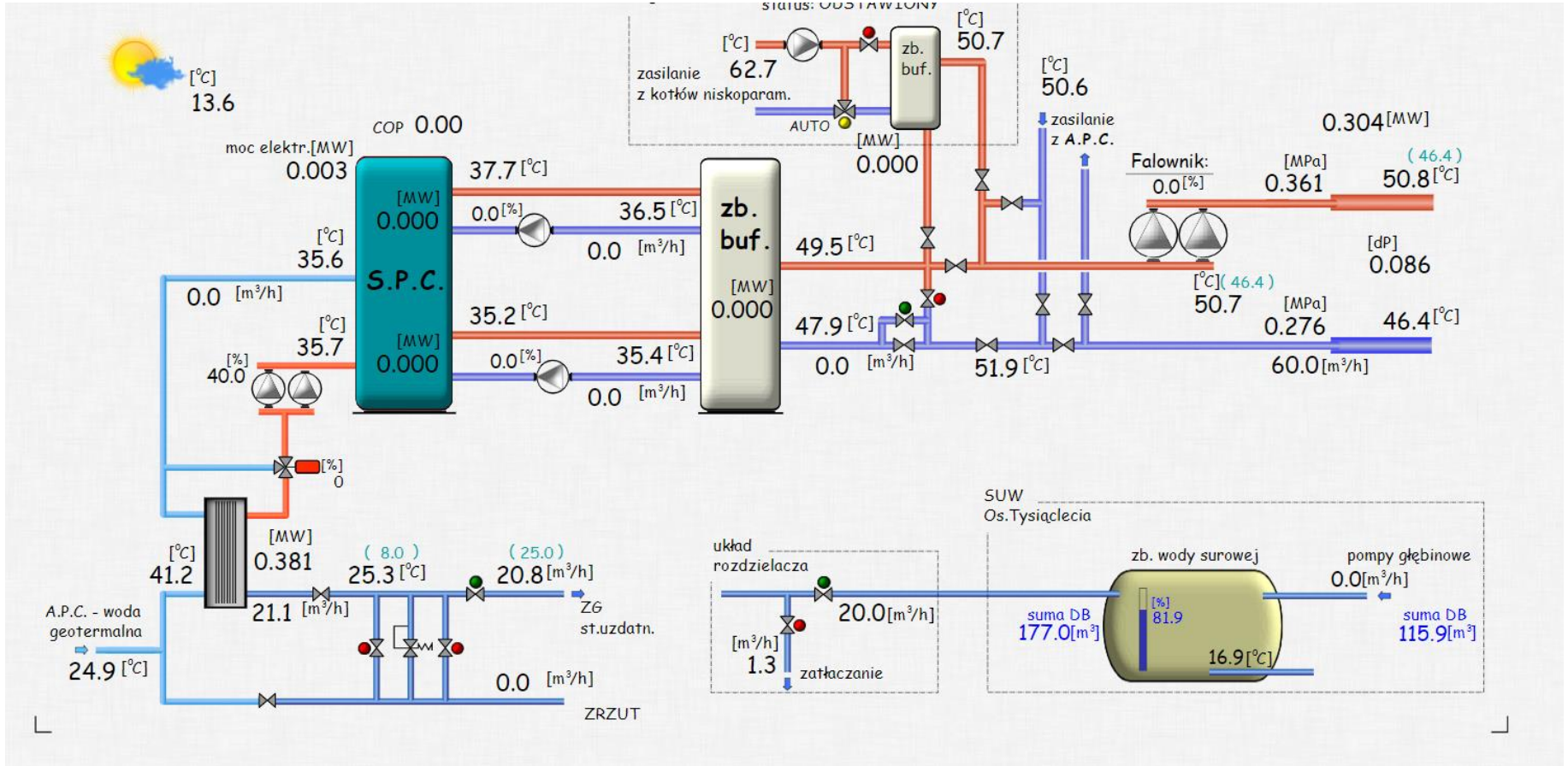


# APC - Scheme





# SPC – Scheme



# Future

- ▶ Geothermal water as drinking water
- ▶ Drilling a second geothermal well in Mszczonów
- ▶ Participation in the investment to introduce a geothermal system in the city of Sochaczew - construction of the plant and geothermal intake
- ▶ The heat and geothermal water supply of the deepest diving pool in Europe which is being built in Mszczonów